

TOPAZ TROUGH VALVE

PRODUCT INFO



Description

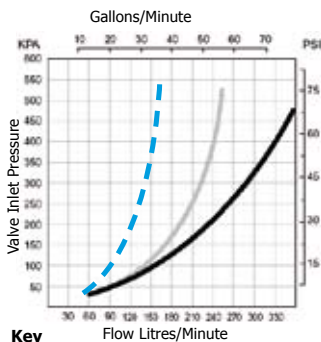
Topaz trough valves are float operated valves for use in automatic filling of water troughs, tanks, cisterns etc. The valve is configured for **above or below water mounting**. The float operates a small pilot valve which in turn operates the main diaphragm valve. Topaz trough valves are a good choice where their **high flow**, compact, robust, non corrosive construction and high level of adaptability are needed.

Applications

Maintaining Water Levels in:

- Animal Drinking Troughs
- Water Storage Tanks
- Water Cisterns
- Air Conditioning Systems
- High Pressure Cleaning Systems
- Irrigation Applications

Flow Graph

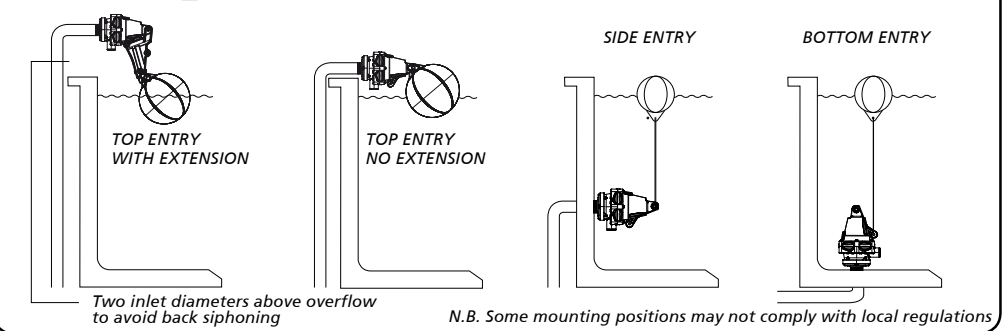


Key
 - 15mm (1/2")
 - 20mm (3/4")
 - 25mm & 32mm (1" & 1 1/4")

Features

- High flow
- Compact robust construction
- Mounts horizontally or vertically
- Made from corrosion resistant materials
- Shuts down slowly to minimise water hammer
- 20 - 60mm (3/4" - 2 1/2") water level differential (increases as water inlet pressure increases)
- Pressure rating 0.3 - 7 Bar (5 - 100 PSI)
- Float position easily adjustable with no tools
- Valve has switch to lock it in off position
- Has port to connect Frostpro anti freeze device

Mounting Positions



Options

	BSP				NPT				
Inlet Size	1/2"	3/4"	1"	1 1/4"	1/2"	3/4"	1"	1 1/4"	Specifies this Thread size
STD Base Short Tail		✓	✓	✓		✓	✓		
Detach Base Short Tail		✓	✓	✓		✓	✓	✓	
Detach Base Long Tail	✓	✓	✓	✓	✓	✓	✓	✓	
Long Tail: Available only with Detach Base. Supplied with backnut and seal washer.									
Floats: 125mm wide floats supplied standard. Note: Suitable for any mounting position 70mm and 95mm floats optional Note: Suitable for top entry only.	Standard	Optional	Optional						
	125mm	70mm	95mm						

TOPAZ TROUGH VALVE SPECIFICATION

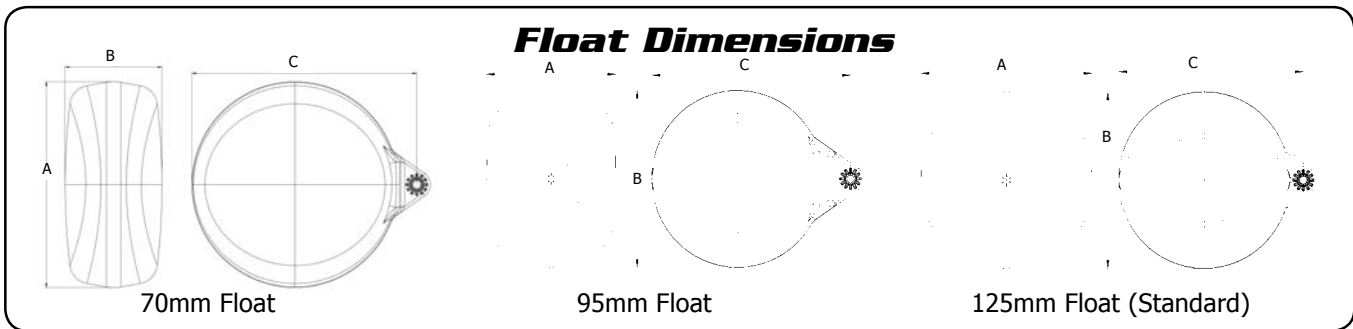
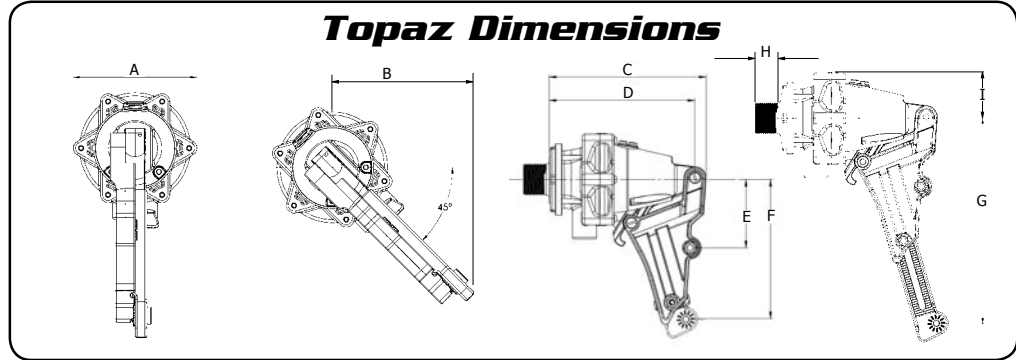
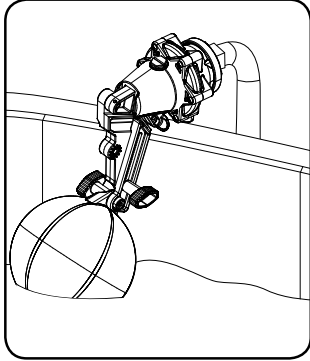
PRODUCT	CODE	INLET SIZE	CODE	OPTIONS	CODE
Topaz Trough Valve	TPV	1/2" bsp/npt	15	Detach Base	D
		3/4" bsp/npt	20	Long Tail Base	LT
		1" bsp	25		
		1" npt	1	70mm wide Float	F70
		1 1/4" bsp	32	95mm wide Float	F95
		1 1/4" npt	114		
(e.g) A Topaz Trough Valve with: 3/4" bsp inlet thread, detach base, long tail thread has the following spec number: TPV 20 D LT					
NOTE: If no options are specified the standard ones will be supplied					

Note: Product may differ slightly from these specs due to ongoing product development.

200 L / MIN

TOPAZ TROUGH VALVE

DIMENSIONS & MATERIALS



200 L / MIN

Topaz Dimensions		
	mm	inches
A	88	3 1/2
B	100	3 15/16
C	134	5 1/4
D	124	4 7/8
E	58	2 9/32
F	119	4 11/16
G	176	6 15/16
H	22	7/8
	22	7/8
	25	1
	100	4
	38	1 1/2
	54	2 1/8
	60	2 3/8
I	40	1 7/16

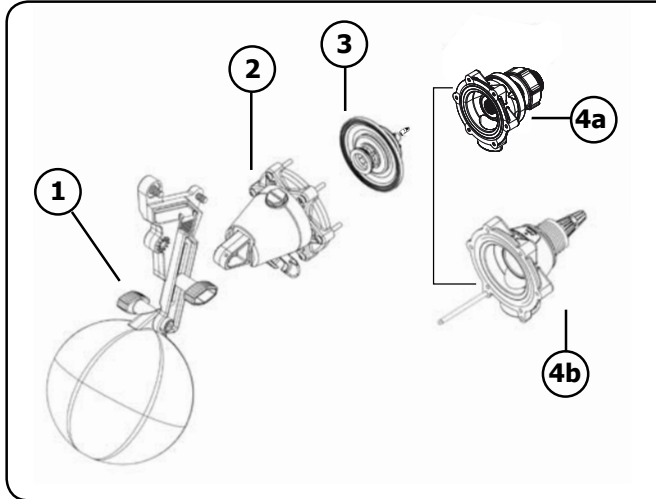
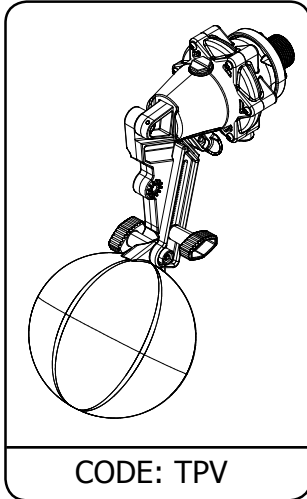
Float Dimensions								
70mm Float			95mm Float			125mm Float		
	mm	inches		mm	inches		mm	inches
A	70	2 3/4	A	95	3 3/4	A	126	4 15/16
B	149	5 7/8	B	130	5 1/8	B	130	5 1/8
C	162.5	6 13/32	C	145	5 3/4	C	136	5 3/8

Materials	
Valve Body	ABS
White & Yellow Internal Parts	Acetal
Filter	Acetal
Diaphragm	EPDM
Seal	Urethane
Springs, Bolts, Nuts, Pin, Screws	304 Stainless Steel
Detach Seal	Santoprene
O'Rings	Nitrile
Float	HDPE
Seal Washer	LDPE
Float Cord	Polyester

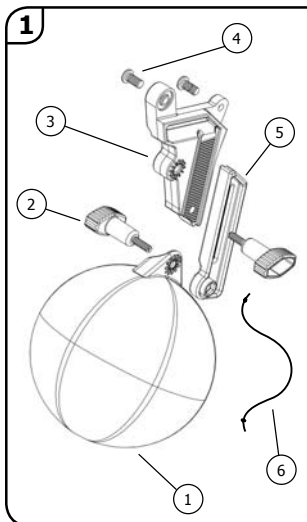
Maximum Temperature of Operation 45°C, 115°F

TOPAZ TROUGH VALVE

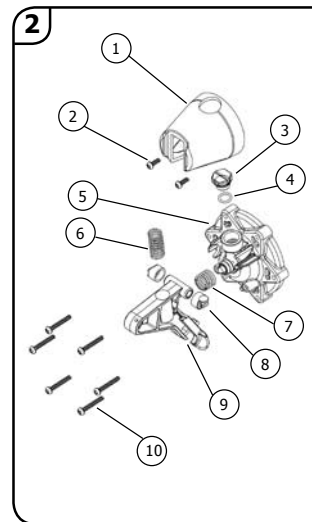
PARTS IDENTIFICATION SHEET



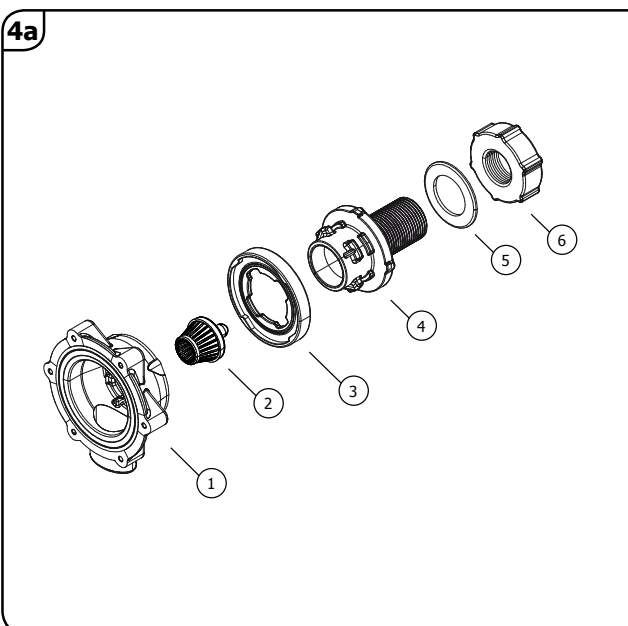
CODE	DESCRIPTION
1	Float Assembly
2	Cap & Actuator Assembly
3	Diaphragm Assembly
4a	Detach Base Assembly
4b	1 Piece Base Assembly



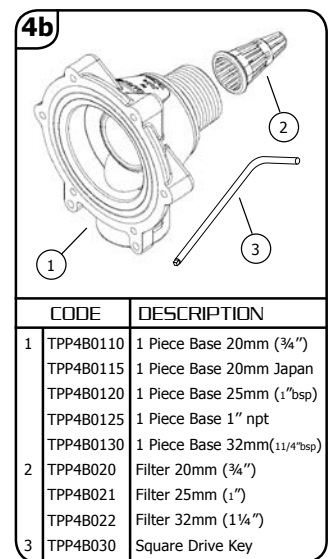
CODE	DESCRIPTION
1	TPP10110 70mm Float
	TPP10115 95mm Float
	TPP10120 125mm Float
2	TPP1020 Wing Bolt
3	TPP1030 Extension Arm
4	TPP1040 Bolt M5 x 12 Pan Slot
5	TPP1050 Extension Slide
6	TPP1060 Float Cord



CODE	DESCRIPTION
1	TPP2010 Actuator Cap
2	TPP2020 6g x 10 S/S Screw
3	TPP2030 Frost Pro Plug
4	TPP2040 Frost Pro O'ring
5	TPP2050 Valve Cap Assembly
6	TPP2060 Actuator Spring
7	TPP2070 Damping Spring
8	TPP2080 Bearings (set of two)
9	TPP2090 Actuator Arm
10	TPP2100 6g x 25 S/S Screw



CODE	DESCRIPTION
1	TPP4A010 Detach Base
2	TPP4A030 Detach Filter
3	TPP4A020 Detach Seal
4	TPP4A0415 Detach Tail 20mm(3/4") Short
	TPP4A0425 Detach Tail 25mm(1") Short
	TPP4A0435 Detach Tail 32mm(1 1/4") Short
	TPP4A0410 Detach Tail 15mm (1/2") Long
	TPP4A0420 Detach Tail 20mm (3/4") Long
	TPP4A0431 Detach Tail 25mm (1" bsp) Long
	TPP4A0441 Detach Tail 32mm (1 1/4" bsp) Long
	TPP4A0430 Detach Tail 1" npt Short
	TPP4A0440 Detach Tail 1 1/4" npt Short
	TPP4A0432 Detach Tail 1" npt Long
	TPP4A0442 Detach Tail 1 1/4" npt Long
5	TPP4A050 Seal Washer 15mm (1/2")
	TPP4A051 Seal Washer 20mm (3/4")
	TPP4A052 Seal Washer 25mm (1")
	TPP4A053 Seal Washer 32mm (1 1/4")
	TPP4A054 Backing Washer SS 32mm (1 1/4")
6	TPP4A060 Backnut 15mm (1/2")
	TPP4A061 Backnut 20mm (3/4")
	TPP4A062 Backnut 25mm (1")
	TPP4A063 Backnut 32mm (1 1/4")



CODE	DESCRIPTION
1	TPP4B0110 1 Piece Base 20mm (3/4")
	TPP4B0115 1 Piece Base 20mm Japan
	TPP4B0120 1 Piece Base 25mm (1" bsp)
	TPP4B0125 1 Piece Base 1" npt
	TPP4B0130 1 Piece Base 32mm (1 1/4" bsp)
2	TPP4B020 Filter 20mm (3/4")
	TPP4B021 Filter 25mm (1")
	TPP4B022 Filter 32mm (1 1/4")
3	TPP4B030 Square Drive Key

200 L / MIN